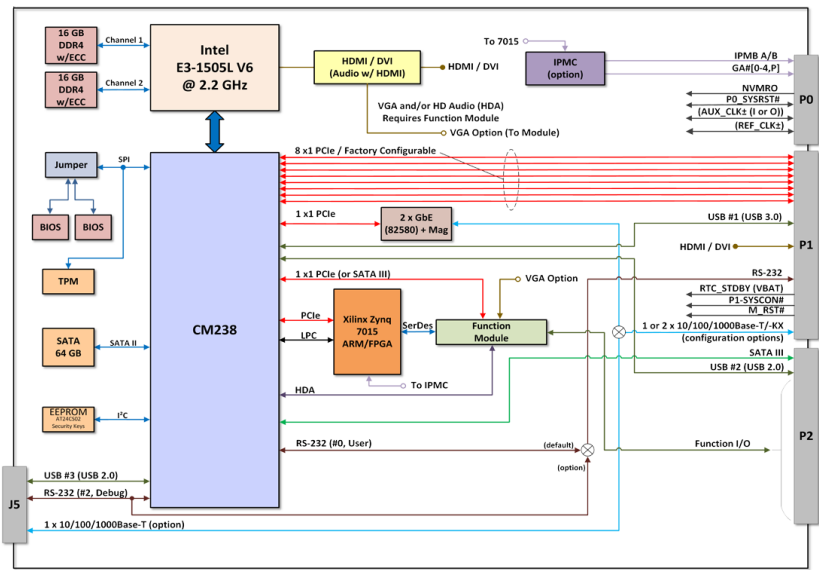
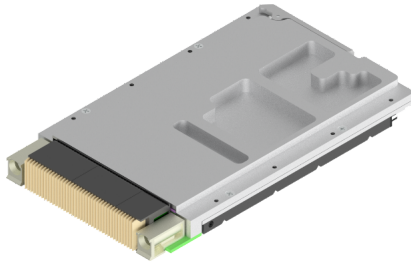




68INT4 3U OpenVPX Single Board Computers

3U OpenVPX™ Intel® Xeon® SBC with One Smart Function Module Slot

The 68INT4 is a 3U OpenVPX Intel® Xeon® Processor E3-1505L v6 based embedded Single Board Computer with integrated output graphics/video & I/O expansion. Balancing high-performance with relatively low-power dissipation, the processor supports up to four processing cores operating at up to 2.2 GHz. One I/O expansion module slot is provided that can be fitted/configured with any one of the 100+ NAI smart I/O and communications function modules. Ideally suited for rugged Mil-Aero applications, the 68INT4 delivers off-the-shelf solutions that accelerate deployment of SWaP-optimized systems in air, land and sea applications. The 68INT4 includes BSP and SSK support for CentOS, Linux®, and Microsoft Windows®. In addition, SSKs are supplied with source code and board-specific library I/O APIs to facilitate system integration.



Features

- **3U OpenVPX (ANSI/VITA 65)**
- **Profiles Supported:**
 - MOD3-PAY-2F2U-16.2.3-3
 - Data plane:
 - 8 x1 PCIe Gen 2 (default) (2 x4, 1 x4 & 4 x1 configurations avail.)
 - Control plane:
 - 2 x 10/100/1000Base-T (or -KX) (max.)
 - SLT3-PAY-2F2U-14.2.3
- **Processor/Memory**
 - Intel® Xeon® Quad-core E3-1505LV6 up to 2.2* GHz 8 MB Cache
 - 32 GB DDR4 SDRAM w/ ECC (max)
 - 64 GB SATA II NAND Flash (on board)
- **Processor Video / Graphics**
 - Intel® UHD Graphics P630
 - HDMI / DVI output
 - 4K support (at 60 Hz)
 - OpenGL & DirectX Support
- **IPMC Support (configured option)**
 - VITA 46.11 Tier-2 compatible
- **Supports one NAI smart I/O function modules**
 - COSA® architecture
 - 100+ modules to choose from
 - PCIe or SATA III I/F to function slot (e.g. for additional Gig-E ports or on-board NVM storage)
- **Motherboard Peripheral I/O:**
 - 1 x USB 3.0 & 1 x USB 2.0 (to rear)
 - 1 x USB 2.0 (to front maintenance J5)
 - 1 x RS-232 Debug Port (to front)
 - 1 x RS-232 Rear Port redirect:
 - 1 x User Port (rear, default)
 - 1 x Debug Port (front and rear, option)
 - SATA III capable interface (to rear)
 - Off-board SATA for NVM expansion
- **Security & Reliability (supports)**
 - Intel® Trusted Execution Technology
 - TPM / Secure Key / Intel® AES
- **Operating Systems Supported**
 - CentOS / Linux
 - Microsoft® Windows®
- **Intelligent I/O library support included**
- **Background Built-in-Test Continuous BIT (as applicable)**
- **VICTORY Interface Services (Contact factory)**
- **Operating Temperature**
 - Commercial: 0°C to 70°C
 - Rugged: -40°C to 85°C
- **Mechanical Options (ANSI/VITA 48)**
 - Air-cooled; 3U, 4HP or 5HP (0.8" or 1.0" panel options)
 - Conduction-cooled; 3U, 0.8" pitch
 - Weight: ~1.25 lbs.
- **Power**
 - ~30 W power dissipation (typ.) (not including smart module power)
 - VS1 (+12V) & VS3 (+5V) req'd
 - +3.3V_AUX
 - ±12 V_AUX (select modules only)

* Note: Maximum CPU speed may be dependent on system environment and power constraints - consult factory/manual for details

Select up to 1 independent functions for your application

I/O Modules

Function	Module	Description	Function	Module	Description
Analog-to-Digital	<u>AD1</u>	12 CH. A/D, ±10 V, Dedicated, 256 kHz (max), Sigma-Delta	Digital-to-Analog	<u>DA4</u>	4 CH. D/A, ± 20 to ± 80, 10 mA, Voltage Control Only
	<u>AD2</u>	12 CH. A/D, ±100 V (max), Dedicated, 256 kHz (max), Sigma-Delta	Digital IO - Differential Transceiver	<u>DF1</u>	16 CH. Differential I/O, Input: -10 V to +10 V (422), -7 V to +12 V (485) Output: -.25 V to +5 V
	<u>AD3</u>	12 CH. A/D, ±25 mA, Dedicated, 256 kHz (max), Sigma-Delta		<u>DF2</u>	16 CH. 16 Channel Enhanced Differential I/O
	<u>AD4</u>	16 CH. A/D, ± 10 V, Multiplexed, 500 KHz Agg / 8 Ch, SAR	Discrete IO - Multichannel, Programmable	<u>DT1</u>	24 CH. Discrete I/O, 0-60 VDC Input/Output, Max Iout 500 mA - 2 A, Source/Sink (out)
	<u>AD5</u>	16 CH. A/D, ± 50 V, Multiplexed, 500 KHz Agg / 8 Ch, SAR		<u>DT2</u>	16 CH. Discrete I/O, ±80 V Input/Output, Max Iout 600 mA, Isolated/Ch Switch (out)
	<u>AD6</u>	16 CH. A/D, ± 100 V, Multiplexed, 500 KHz Agg / 8 Ch, SAR		<u>DT3</u>	4 CH. Discrete I/O, ±100 V Input/Output, Max Iout 3A, Isolated/Ch Switch/Bridge
	<u>ADE</u>	16 CH. A/D, ±10 V, Individual 16-bit SAR, 200 kHz max., Simultaneous Sampling		<u>DT4</u>	24 CH. Enhanced DT1
	<u>ADF</u>	16 CH. A/D, ±100 V, Individual 16-bit SAR, 200 kHz max., Simultaneous Sampling		<u>DT5</u>	16 CH. Enhanced DT2
	Digital-to-Analog	<u>ADG</u>	16 CH. A/D, ±25 mA, Individual 16-bit SAR, 200 kHz max., Simultaneous Sampling	Relay	<u>RY1</u>
<u>DA1</u>		12 CH. D/A, ± 10 V, 25 mA Per Channel, Current or Voltage Control	<u>RY2</u>		4 CH. Relay, 220V/2A @ 60W/62.5VA (Max), Latching
<u>DA2</u>		16 CH. D/A, ± 10 V, 10 mA Per Channel, No Current Control	Digital IO - TTL, CMOS	<u>TL1</u>	24 CH. TTL I/O, Standard Functionality, Programmable
<u>DA3</u>	4 CH. D/A, ±40 V, ±100 mA, Voltage or Current Output	<u>TL2</u>		24 CH. TTL I/O, Enhanced Functionality, Programmable	

Measurement & Simulation Modules

Function	Module	Description	Function	Module	Description
AC Reference	<u>AC2</u>	2 CH. AC Reference Source, 47 Hz - 20 KHz, ± 3% Acc, 2 – 28 Vrms, 6 VA (Max/Ch) Power	LVDT RVDT Measurement and Simulation	<u>LD5</u>	4 CH. LVDT/RVDT to Digital, 28-90 Vrms Input, 2-115 Vrms Exc, 47 Hz - 1 KHz Freq
	<u>AC3</u>	2 CH. AC Reference Source, 47 Hz - 2.5 KHz, ± 3% Acc, 28 – 115 Vrms, 6 VA (Max/Ch) Power		<u>RT1</u>	8 CH. Resistance Temperature Detectors (RTD), 2, 3, or 4 wire, 16 Bit Res, 16.7 Hz/Ch
LVDT RVDT Measurement and Simulation	<u>LD1</u>	4 CH. LVDT/RVDT to Digital, 2-28 Vrms Input, 2-115 Vrms Exc, 47 Hz -1 KHz Freq	Thermocouple and RTD Measurement	<u>TC1</u>	8 CH. Thermocouple, 4.17 - 470 Hz, ±100 mV A/D
	<u>LD2</u>	4 CH. LVDT/RVDT to Digital, 2-28 Vrms Input, 2-115 Vrms Exc, 1 KHz - 5 KHz Freq		<u>TR1</u>	8 CH. Thermocouple (TCx) & Resistance Temperature Detectors (RTD), programmable per channel
	<u>LD3</u>	4 CH. LVDT/RVDT to Digital, 2-28 Vrms Input, 2-115 Vrms Exc, 5 KHz - 10 KHz Freq	Strain Gauge Measurement	<u>SG1</u>	4 CH. Strain Gauge, 4.7 Hz - 4.8 KHz, Measurement, Conventional 4-Arm Bridge
	<u>LD4</u>	4 CH. LVDT/RVDT to Digital, 2-28 Vrms Input, 2-115 Vrms Exc, 10 KHz - 20 KHz Freq	Variable Reluctance	<u>VR1</u>	8 CH. Variable Reluctance Signal Input and General-Purpose Pulse Counter, ±100 V, 100 kHz (max)

Communication Modules

Function	Module	Description	Function	Module	Description
ARINC Communications	<u>AR1</u>	12 CH. ARINC 429, 100 KHz or 12.5 KHz, RX/TX, 256 Word Tx/Rx Buffer	MIL-STD-1553B	<u>FTD</u>	1 CH. MIL-STD-1553 (AMC), BC, RT, BM, BM/RT, 128 KB RAM, Direct Coupled
	<u>AR2</u>	1 CH. ARINC 568 (CH-1, RX & TX) & 1 Channel ARINC 579 (CH-2, Programmable RX or TX), 1024-Word TX & RX Buffers per Ch.		<u>FTE</u>	2 CH. MIL-STD-1553 (AMC), BC, RT, BM, BM/RT, 128 KB RAM Per Channel, Direct Coupled
CANBus Communications	<u>CB1</u>	8 CH. CANBus, CAN 2.0 A/B, 16 K RX/TX Buffer, 1 Mb/s Max Data Rate		<u>FTF</u>	4 CH. MIL-STD-1553 (AMC), BC, RT, BM, BM/RT, 128 KB RAM Per Channel, Direct Coupled
	<u>CB2</u>	8 CH. CANBus, J1939, 16 K RX/TX Buffer, 500 kb/s Max Data Rate	MIL-STD-1760	<u>FTJ</u>	1 CH. MIL-STD-1760 (1553), BC, RT, BM, BM/RT, 128 KB RAM, Transformer Coupled
	<u>CB3</u>	8 CH. CANBus, CAN 2.0 A/B (CB1) or J1939 (CB2) protocol layer programmable per channel		<u>FTK</u>	2 CH. MIL-STD-1760 (1553), BC, RT, BM, BM/RT, 128 KB RAM Per Channel, Transformer Coupled
Ethernet NIC Interface	<u>EM1</u>	2 CH. Dual Ethernet I/F, Intel 82850, 10/100/1000	Serial Communications	<u>SC1</u>	4 CH. Serial, RS-232/422/423 (MIL-STD-188C)/485, Non Isolated
Ethernet Switch	<u>ES2</u>	16 CH. (Ports) Ethernet Switch, 10/100/1000Base-T (GbE), Layer 2+/3 Managed		<u>SC2</u>	4 CH. Serial, RS-232/422/423 (MIL-STD-188C)/485, Isolated Per Channel and From Ground
MIL-STD-1553B	<u>FTA</u>	1 CH. MIL-STD-1553 (AMC), BC, RT, BM, BM/RT, 128 KB RAM, Transformer Coupled		<u>SC3</u>	8 CH. (max) RS-232/422/485 Serial Comms or GPIO, Programmable, Non-isolated
	<u>FTB</u>	2 CH. MIL-STD-1553 (AMC), BC, RT, BM, BM/RT, 128 KB RAM Per Channel, Transformer Coupled		<u>SC7</u>	4 CH. Serial, RS-232/422/423 (MIL-STD-188C)/485, Non-Isolated w/ (4) SYS-GND pins provided
	<u>FTC</u>	4 CH. MIL-STD-1553 (AMC), BC, RT, BM, BM/RT, 128 KB RAM Per Channel, Transformer Coupled			

Combination Modules

Function	Module	Description	Function	Module	Description
Combo	<u>CM5</u>	1 CH. Combination, MIL-STD-1553 (2-Ch, redundant) & ARINC 429/575 (8-Ch), 100 KHz or 12.5 KHz, RX or TX, 256 Word Tx/Rx Buffer	Combo	<u>CM8</u>	1 CH. Combination, MIL-STD-1553 (AMC), 2-Ch. Dual-redundant & 12-Ch. Discrete I/O, 0-60 VDC Input/Output, Max Iout 500 mA - 2 A, Source/Sink (out)

Architected for Versatility

NAI's Configurable Open Systems Architecture™ (COSA®) offers a choice of over 100 smart I/O, communications, or Ethernet switch functions, providing the highest packaging density and greatest flexibility of ruggedized embedded product solutions in the industry. Preexisting, fully-tested functions can be combined in an unlimited number of ways quickly and easily.

One-Source Efficiencies

Eliminate man-months of integration with a configured, field-proven system from NAI. Specification to deployment is a seamless experience as all design, state-of-the-art manufacturing, assembly and test are performed - by one trusted source. All facilities are located within the U.S. and optimized for high-mix/low volume production runs and extended lifecycle support.

Product Lifecycle Management

From design to production and beyond, NAI's product lifecycle management strategy ensures the long-term availability of COTS products through configuration management, technology refresh and obsolescence component purchase and storage.

All specifications are subject to change without notice. All product and company names are trademarks or registered trademarks of their respective holders

